



CROSS COUNTRY MANUFACTURING

engineered for today. built for a lifetime.

DEMOLITION TRAILER - 380DT



Doing the toughest jobs in the toughest places. From the oilfields of Texas to the mines of the Canadian arctic - when the environment demands supreme durability and zero down-time, the only choice is Cross Country.

It starts with a bulletproof chassis. We fabricate our main I-beams a step above the competition by using 130,000 ksi T1 steel. From there, we build the most durable, stable dump box in the industry.

From our best in class fit & finish to the heavy duty gates that ensure a tight seal for years to come. Cross Country is blazing the trail for functionality and durability.

Features like this and all the others we have developed are what set us apart, and what makes every Cross Country trailer a tool to be used, rather than just a trailer to be pulled.

Manitoba Operations

Ph 204.822.9509
Fax 204.822.9514

418 South Railway St.
Morden, MB
R6M 2G2

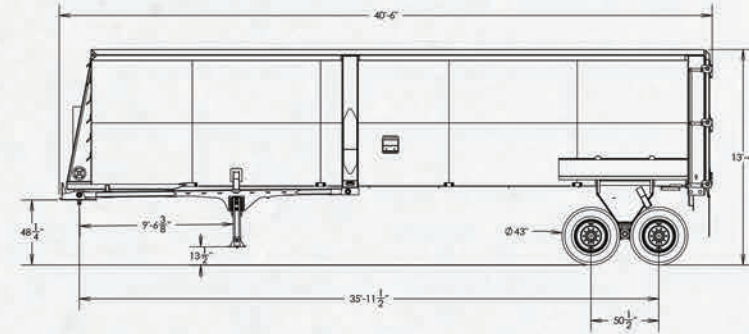
Tf: 888.895.0833
www.crosscountrytrailer.com



CROSS COUNTRY MANUFACTURING

engineered for today. built for a lifetime.

DEMOLITION TRAILER - 380DT



Features

- // 83 Cubic Yards
- // Custom Lengths and Sidewall Heights
- // Frameless & Full Frame Design
- // Fully Sandblasted and Finished With PPG Epoxy Primer and PPG Essentials Top Coat. Custom Paint Colors Available

Additional Options

- // Single Point Air Ride Suspension
- // Aluminum Wheels
- // Top Hinge Rear Gate
- // Tire Inflation Systems
- // Aluminum Front Fenders



All information, specifications and illustrations made in this brochure by Cross Country Manufacturing is based on the latest product information at time of publication and are for information purposes only and completely without obligation. Cross Country Manufacturing reserves the right to make changes at any time without notice or liability to products described and/or illustrated herein.

Authorized Cross Country Manufacturing Dealer